

CHASER 29

e-MTB Trail



PREIS: 4599,00

TECHNOLOGIEN

ZERO E-BIKE OPTIMIZED
STEALTH SIDE ALLOY STRUCTURE
FORWARD GEOMETRY

📦 150 kg SYSTEM WEIGHT

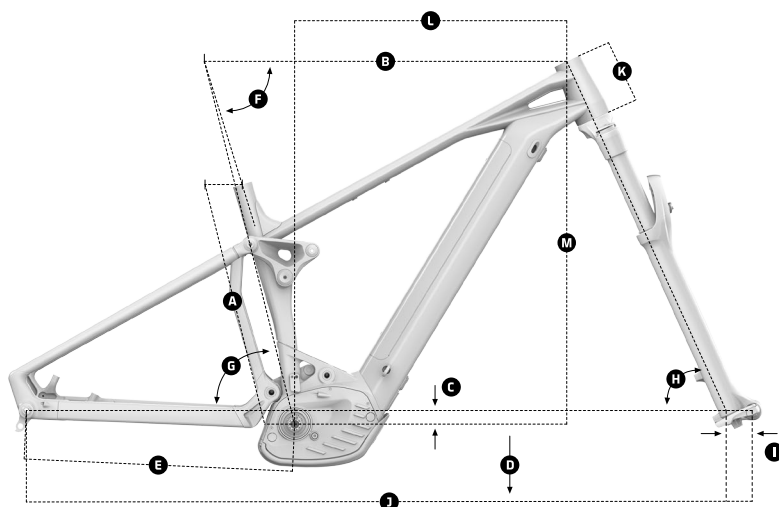
Ø 29"



ⓘ Die Laufradgröße dieses Modells entspricht nicht der Abbildung

SPEZIFIKATIONEN

RAHMEN	Chaser 6061 Alloy Stealth Evo, e-Bike Optimized Zero Suspension System, 150mm travel, Forward Geometry, internal removable battery, Boost 12x148mm rear axle, tapered head tube, one-piece Monoblock upper link, HHG internal cable routing, MAX capacity sealed bearings, oversize 17mm axles, integrated dropout speed sensor, exclusive plastic motor covers, shock mudguard
GRÖßEN	S: 380mm / M: 420mm / L: 450mm / XL: 490mm
DÄMPFER	RockShox Deluxe Select R Debonair, 205x65mm. Settings: Low-speed rebound, air preload. Trunnion top mount, 25x10mm bottom bushings
EINSTELLMÖGLICHKEITEN	Light compression, Light rebound, 1 Token
GABEL	RockShox Recon RL Motion control 29, 150mm, DebonAir, tapered steerer tube, Boost 15x110mm axle, 44mm offset. Settings: compression adjustment at low-speed to lock, rebound, air preload
STEUERSATZ	Onoff Saturn tapered for 1-1/8" to 1-1/2" head tube, ACB sealed bearings, top 41x30.2x7x45°x45°, bottom 51.9x40x8x45°x45°
VORBAU	Onoff Sulfur FG 30mm, 6061 forged alloy, 31.8mm barbare
LENKER	Onoff Sulfur 1.0 double butted 6061 alloy, rise: 20mm, width: 780mm, 9° backsweep, 5° upsweep, 31.8mm barbare
GRIFFE	Onoff Twin, 1lock-on, 135mm
SATTELSTÜTZE	Onoff Pija dropper internal, diameter 31.6mm, S size: 337x100mm, M size 387x125mm, L/XL size: 425x150mm
SATTEL	Mondraker e-MTB custom design
BREMSE VORNE	Shimano MT501, RT66 203mm IS 6 bolts rotor, resin pads
BREMSE HINTEN	Shimano MT501, RT66 203mm IS 6 bolts rotor, resin pads
BREMSHEBEL	Shimano MT501, servo wave, alloy lever
FELGEN	MDK-HP1 29, 30mm internal width, tubeless ready, 32 spokes



GEOMETRIE

Größe	S	M	L	XL
A Sitzrohrlänge	380 mm	420 mm	450 mm	490 mm
B Oberrohrlänge	602 mm	622 mm	647 mm	667 mm
C Tretlagerabsenkung	-28	-28	-28	-28
D Tretlagerhöhe	347 mm	347 mm	347 mm	347 mm
E Kettenstrebenlänge	455 mm	455 mm	455 mm	455 mm
F Sitzwinkel, (real)	73.8°	73.8°	73.8°	73.8°
G Sitzwinkel (effektiv)	76.3°	76.3°	76.3°	76.3°
H Lenkwinkel	66°	66°	66°	66°
I Gabelvorbiegung	44 mm	44 mm	44 mm	44 mm
J Radstand	1222 mm	1242 mm	1262 mm	1282 mm
K Steuerrohrlänge	110 mm	110 mm	130 mm	130 mm
L Reach	453 mm	473 mm	493 mm	513 mm
M Stack	620 mm	620 mm	638 mm	638 mm

MODELL	FARBE	S	M	L	XL
Chaser 29	Black / Light Blue / Flame Red	010.20234	010.20235	010.20236	010.20237
Chaser 29	FOX Orange / Black / Light Green	010.20238	010.20239	010.20240	010.20241

SPEICHEN	CN round stainless steel
NABE VORDERRAD	MDK DC711 15x110mm, cup & cone ball bearings, IS 6 bolts
NABE HINTERRAD	MDK EHL148 12x148mm, sealed bearings, IS 6 bolts
REIFEN VORNE	Maxxis Rekon 29x2.6 tubeless ready, Dual compound, EXO protection, 60TPI, folding bead
REIFEN HINTEN	Maxxis Rekon 29x2.6 tubeless ready, Dual compound, EXO protection, 60TPI, folding bead
MOTOR	Bosch Performance Line CX system Gen4, 625 Wh PowerTube battery, Purion on-board computer, RaceFace Aeffect ebike crankset, 165mm
KETTENBLÄTTER	SRAM X-Sync 2 Eagle 34T, narrow-wide, Bosch Gen4 DM
TRETLAGER	/
PEDALE	/
KETTE	Sram SX Eagle, 12s
KETTENFÜHRUNG / UMWERFER	/
SCHALTWERK	Sram SX, Type 3 roller bearing clutch, cage lock, long cage, 1x12s, X-actuation 1:1
SCHALTHEBEL	Sram Trigger SX, 12s, X-Actuation 1:1, single click
KASSETTE	Sram PG-1210 Eagle 11-50, 12s
SCHALTAUGE	Mondraker M068
SONSTIGES	/
GEWICHT OHNE PEDALE	23.9 kg