



PREIS: 4599,00

**TECHNOLOGIEN**

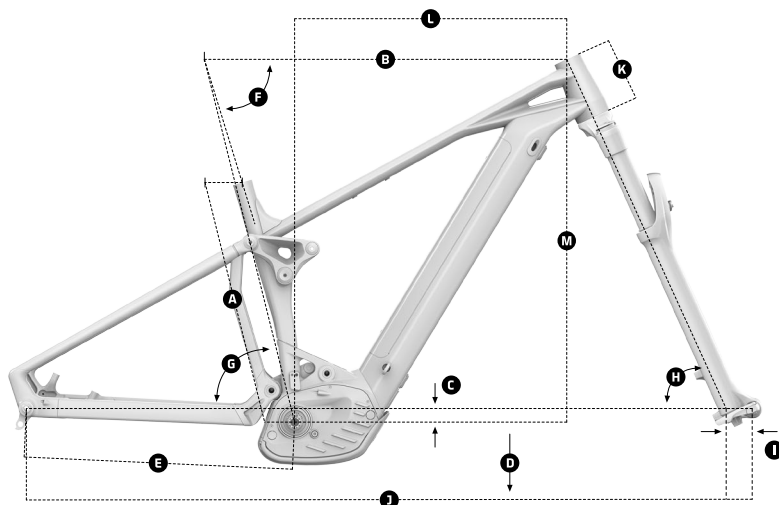
ZERO E-BIKE OPTIMIZED  
STEALTH SIDE ALLOY STRUCTURE  
FORWARD GEOMETRY

 150 kg SYSTEM WEIGHT

 Ø 27'5+

**SPEZIFIKATIONEN**

<b>RAHMEN</b>	Chaser 6061 Alloy Stealth Evo, e-Bike Optimized Zero Suspension System, 150mm travel, Forward Geometry, internal removable battery, Boost 12x148mm rear axle, tapered head tube, one-piece Monoblock upper link, HHG internal cable routing, MAX capacity sealed bearings, oversize 17mm axles, integrated dropout speed sensor, exclusive plastic motor covers, shock mudguard
<b>GRÖßEN</b>	S: 380mm / M: 420mm / L: 450mm / XL: 490mm
<b>DÄMPFER</b>	RockShox Deluxe Select R Debonair, 205x65mm. Settings: Low-speed rebound, air preload. Trunnion top mount, 25x10mm bottom bushings
<b>EINSTELLMÖGLICHKEITEN</b>	Light compression, Light rebound, 1 Token
<b>GABEL</b>	RockShox Recon RL Motion control 29, 150mm, DebonAir, tapered steerer tube, Boost 15x110mm axle, 44mm offset. Settings: compression adjustment at low-speed to lock, rebound, air preload
<b>STEUERSATZ</b>	Onoff Saturn tapered for 1-1/8" to 1-1/2" head tube, ACB sealed bearings, top 41x30.2x7x45°x45°, bottom 51.9x40x8x45°x45°
<b>VORBAU</b>	Onoff Sulfur FG 30mm, 6061 forged alloy, 31.8mm barbare
<b>LENKER</b>	Onoff Sulfur 1.0 double butted 6061 alloy, rise: 20mm, width: 780mm, 9° backsweep, 5° upsweep, 31.8mm barbare
<b>GRIFFE</b>	Onoff Twin, 1lock-on, 135mm
<b>SATTELSTÜTZE</b>	Onoff Pija dropper internal, diameter 31.6mm, S size: 337x100mm, M size 387x125mm, L/XL size: 425x150mm
<b>SATTEL</b>	Mondraker e-MTB custom design
<b>BREMSE VORNE</b>	Shimano MT501, RT66 203mm IS 6 bolts rotor, resin pads
<b>BREMSE HINTEN</b>	Shimano MT501, RT66 203mm IS 6 bolts rotor, resin pads
<b>BREMSHEBEL</b>	Shimano MT501, servo wave, alloy lever
<b>FELGEN</b>	MDK-HP1 275+, 35mm internal width, tubeless ready, 32 spokes



## GEOMETRIE

Größe	S	M	L	XL
<b>A</b> Sitzrohlänge	380 mm	420 mm	450 mm	490 mm
<b>B</b> Oberrohrlänge	602 mm	622 mm	647 mm	667 mm
<b>C</b> Tretlagerabsenkung	-28	-28	-28	-28
<b>D</b> Tretlagerhöhe	335 mm	335 mm	335 mm	335 mm
<b>E</b> Kettenstrebenlänge	455 mm	455 mm	455 mm	455 mm
<b>F</b> Sitzwinkel, (real)	73.8°	73.8°	73.8°	73.8°
<b>G</b> Sitzwinkel (effektiv)	76.3°	76.3°	76.3°	76.3°
<b>H</b> Lenkwinkel	66°	66°	66°	66°
<b>I</b> Gabelvorbiegung	44 mm	44 mm	44 mm	44 mm
<b>J</b> Radstand	1222 mm	1242 mm	1262 mm	1282 mm
<b>K</b> Steuerrohrlänge	110 mm	110 mm	130 mm	130 mm
<b>L</b> Reach	453 mm	473 mm	493 mm	513 mm
<b>M</b> Stack	620 mm	620 mm	638 mm	638 mm

MODELL	FARBE	S	M	L	XL
Chaser +	Black / Light Blue / Flame Red	010.20226	010.20227	010.20228	010.20229
Chaser +	FOX Orange / Black / Light Green	010.20230	010.20231	010.20232	010.20233

<b>SPEICHEN</b>	CN round stainless steel
<b>NABE VORDERRAD</b>	MDK DC711 15x110mm, cup & cone ball bearings, IS 6 bolts
<b>NABE HINTERRAD</b>	MDK EHL148 12x148mm, sealed bearings, IS 6 bolts
<b>REIFEN VORNE</b>	Maxxis Rekon 27'5x2.8, tubeless ready, Dual compound, EXO protection, 60TPI, folding bead
<b>REIFEN HINTEN</b>	Maxxis Rekon 27'5x2.8, tubeless ready, Dual compound, EXO protection, 60TPI, folding bead
<b>MOTOR</b>	Bosch Performance Line CX system Gen4, 625 Wh PowerTube battery, Purion on-board computer, RaceFace Aeffect ebike crankset, 165mm
<b>KETTENBLÄTTER</b>	SRAM X-Sync 2 Eagle 34T, narrow-wide, Bosch Gen4 DM
<b>TRETLAGER</b>	/
<b>PEDALE</b>	/
<b>KETTE</b>	Sram SX Eagle, 12s
<b>KETTENFÜHRUNG / UMWERFER</b>	/
<b>SCHALTWERK</b>	Sram SX, Type 3 roller bearing clutch, cage lock, long cage, 1x12s, X-actuation 1:1
<b>SCHALTHEBEL</b>	Sram Trigger SX, 12s, X-Actuation 1:1, single click
<b>KASSETTE</b>	Sram PG-1210 Eagle 11-50, 12s
<b>SCHALTAUGE</b>	Mondraker M068
<b>SONSTIGES</b>	/
<b>GEWICHT OHNE PEDALE</b>	24.1 kg