

PREIS: 6499,00

TECHNOLOGIEN

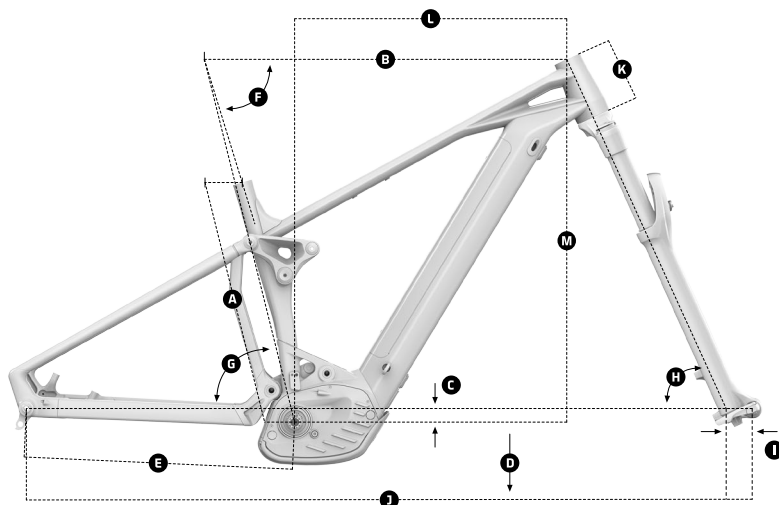
ZERO E-BIKE OPTIMIZED
STEALTH SIDE ALLOY STRUCTURE
FORWARD GEOMETRY

 150 kg SYSTEM WEIGHT

 Ø 29"

**SPEZIFIKATIONEN**

RAHMEN	Crafty 6061 Alloy Stealth Evo, e-Bike Optimized Zero Suspension System, 150mm travel, Forward Geometry, internal removable battery with integrated alloy cover, Boost 12x148mm rear axle, tapered head tube, one-piece Monoblock upper link, HHG internal cable routing, MAX capacity sealed bearings, oversize 17mm axles, integrated dropout speed sensor, exclusive plastic motor covers
GRÖßEN	S: 380mm / M: 420mm / L: 450mm / XL: 490mm
DÄMPFER	Fox Float DPX2 LV EVOL Performance, 205x65mm. Settings: compression 3 positions lever, low-speed rebound, air preload. Trunnion top mount, 25x10mm bottom bushings
EINSTELLMÖGLICHKEITEN	Custom compression, Medium rebound, 0.2 volume spacer
GABEL	Fox 36 29 Float FIT4 EVOL Factory Kashima, 160mm, e-bike optimized, tapered steerer tube, Boost 15x110mm axle, 44mm offset. Settings: 3 positions with micro adjust compression, low-speed rebound, air preload
STEUERSATZ	Onoff Saturn tapered for 1-1/8" to 1-1/2" head tube, ACB sealed bearings, top 41x30.2x7x45°x45°, bottom 51.9x40x8x45°x45°
VORBAU	Onoff Sulfur FG 30mm, 6061 forged alloy, 31.8mm bar bore
LENKER	OnOff Sulfur 1.0 double butted 6061 alloy, rise: 20mm, width: 780mm, 9° backsweep, 5° upsweep, 31.8mm bar bore
GRIFFE	Onoff Desert, 1lock-on, 135mm sizes: S/M L/XL
SATTELSTÜTZE	Onoff Pija dropper internal, diameter 31.6mm, S size: 337x100mm, M size 387x125mm, L/XL size: 425x150mm
SATTEL	SDG Bel-Air 2.0, Cro-Mo rail, PU foam
BREMSE VORNE	Sram Code R, oversized 4-piston caliper, Centerline 200mm IS 6 bolts one-piece rotor, steel-backed metal sintered pads
BREMSE HINTEN	Sram Code R, oversized 4-piston caliper, Centerline 200mm IS 6 bolts one-piece rotor, steel-backed metal sintered pads
BREMSEBEL	Sram Code R, tool-free reach adjust
FELGEN	DT Swiss H1900 Spline 29, 30mm internal width, tubeless ready, 28 spokes



GEOMETRIE

Größe	S	M	L	XL
A Sitzrohrlänge	380 mm	420 mm	450 mm	490 mm
B Oberrohrlänge	605 mm	625 mm	650 mm	670 mm
C Tretlagerabsenkung	-25	-25	-25	-25
D Tretlagerhöhe	345 mm	345 mm	345 mm	345 mm
E Kettenstrebenlänge	455 mm	455 mm	455 mm	455 mm
F Sitzwinkel, (real)	73.5°	73.5°	73.5°	73.5°
G Sitzwinkel (effektiv)	76°	76°	76°	76°
H Lenkwinkel	65.5°	65.5°	65.5°	65.5°
I Gabelvorbiegung	44 mm	44 mm	44 mm	44 mm
J Radstand	1225 mm	1245 mm	1265 mm	1285 mm
K Steuerrohrlänge	110mm	110mm	130mm	130 mm
L Reach	450 mm	470 mm	490 mm	510 mm
M Stack	622 mm	622 mm	640 mm	640 mm

MODELL	FARBE	S	M	L	XL
Crafty RR	Deep Blue / Light Blue / Flame Red	010.20256	010.20257	010.20258	010.20259

SPEICHEN	DT Hybrid SP, straight pull
NABE VORDERRAD	DT 370, Boost 15x110mm, IS 6 bolts
NABE HINTERRAD	DT 370, Boost 12x148mm, IS 6 bolts
REIFEN VORNE	Maxxis Minion DHF 29x2.6, Tubeless ready, 3C MAXX TERRA, EXO+ Protection, 60TPI, folding bead
REIFEN HINTEN	Maxxis Minion DHR II 29x2.6, Tubeless ready, 3C MAXX TERRA, EXO+ Protection, 60TPI, folding bead
MOTOR	Bosch Performance Line CX system Gen4, 625 Wh PowerTube battery, Kiox on-board computer, RaceFace Aeffect ebike crankset, 165mm
KETTENBLÄTTER	SRAM X-Sync 2 Eagle 34T, narrow-wide, Bosch Gen4 DM
TRETLAGER	/
PEDALE	/
KETTE	Sram NX Eagle, 12s
KETTENFÜHRUNG / UMWERFER	/
SCHALTWERK	Sram GX Eagle, Type 3 roller bearing clutch, cage lock, 1x12s, X-actuation 1:1
SCHALTHEBEL	Sram Trigger NX Eagle, 12s, X-Actuation 1:1, single click
KASSETTE	Sram XG-1230 Eagle 11-50T, 12s
SCHALTAUGE	Mondraker M068
SONSTIGES	/
GEWICHT OHNE PEDALE	25 kg