



PREIS: 5699,00

## TECHNOLOGIEN

ZERO E-BIKE OPTIMIZED  
STEALTH SIDE ALLOY STRUCTURE  
FORWARD GEOMETRY

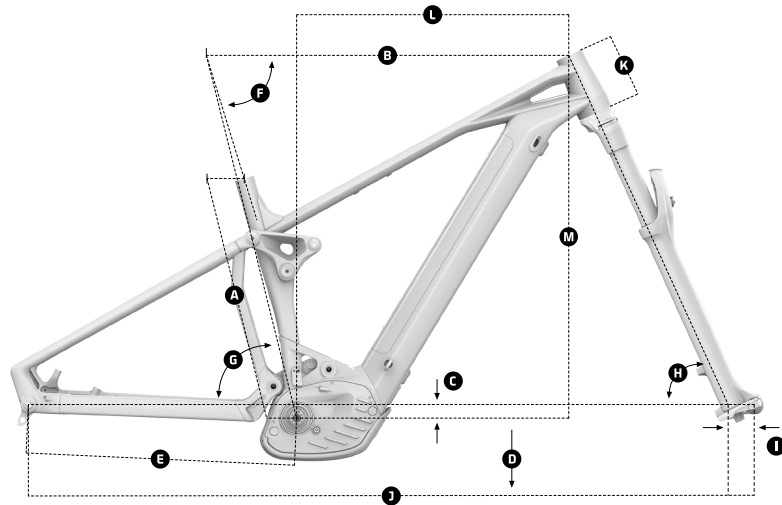
 150 kg SYSTEM WEIGHT

 Ø 29"



## SPEZIFIKATIONEN

<b>RAHMEN</b>	Crafty 6061 Alloy Stealth Evo, e-Bike Optimized Zero Suspension System, 150mm travel, Forward Geometry, internal removable battery with integrated alloy cover, Boost 12x148mm rear axle, tapered head tube, one-piece Monoblock upper link, HHG internal cable routing, MAX capacity sealed bearings, oversize 17mm axles, integrated dropout speed sensor, exclusive plastic motor covers
<b>GRÖßEN</b>	S: 380mm / M: 420mm / L: 450mm / XL: 490mm
<b>DÄMPFER</b>	Fox Float DPX2 LV EVOL Performance, 205x65mm. Settings: compression 3 positions lever, low-speed rebound, air preload. Trunnion top mount, 25x10mm bottom bushings
<b>EINSTELLMÖGLICHKEITEN</b>	Custom compression, Medium rebound, 0.2 volume spacer
<b>GABEL</b>	Fox 36 29 Float FIT GRIP EVOL Rhythm, 160mm, e-bike optimized, tapered steerer tube, Boost 15x110mm axle, 44mm offset. Settings: sweep adjust compression, low-speed rebound, air preload
<b>STEUERSATZ</b>	Onoff Saturn tapered for 1-1/8" to 1-1/2" head tube, ACB sealed bearings, top 41x30.2x7x45°x45°, bottom 51.9x40x8x45°x45°
<b>VORBAU</b>	Onoff Sulfur FG 30mm, 6061 forged alloy, 31.8mm barbore
<b>LENKER</b>	Onoff Sulfur 1.0 double butted 6061 alloy, rise: 20mm, width: 780mm, 9° backsweep, 5° upsweep, 31.8mm barbore
<b>GRIFFE</b>	Onoff Desert, 1lock-on, 135mm sizes: S/M L/XL
<b>SATTELSTÜTZE</b>	Onoff Pija dropper internal, diameter 31.6mm, S size: 337x100mm, M size 387x125mm, L/XL size: 425x150mm
<b>SATTEL</b>	SDG Bel-Air 2.0, Cro-Mo rail, PU foam
<b>BREMSE VORNE</b>	Shimano MT520, 4-piston caliper, RT66 203mm IS 6 bolts rotor, resin pads
<b>BREMSE HINTEN</b>	Shimano MT520, 4-piston caliper, RT66 203mm IS 6 bolts rotor, resin pads
<b>BREMSHEBEL</b>	Shimano MT501, servo wave, alloy lever
<b>FELGEN</b>	DT Swiss H1900 Spline 29, 30mm internal width, tubeless ready, 28 spokes



## GEOMETRIE

Größe	S	M	L	XL
<b>A</b> Sitzrohrlänge	380 mm	420 mm	450 mm	490 mm
<b>B</b> Oberrohrlänge	605 mm	625 mm	650 mm	670 mm
<b>C</b> Tretlagerabsenkung	-25	-25	-25	-25
<b>D</b> Tretlagerhöhe	345 mm	345 mm	345 mm	345 mm
<b>E</b> Kettenstrebenlänge	455 mm	455 mm	455 mm	455 mm
<b>F</b> Sitzwinkel, (real)	73.5°	73.5°	73.5°	73.5°
<b>G</b> Sitzwinkel (effektiv)	76°	76°	76°	76°
<b>H</b> Lenkwinkel	65.5°	65.5°	65.5°	65.5°
<b>I</b> Gabelvorbiegung	44 mm	44 mm	44 mm	44 mm
<b>J</b> Radstand	1225 mm	1245 mm	1265 mm	1285 mm
<b>K</b> Steuerrohrlänge	110mm	110mm	130mm	130 mm
<b>L</b> Reach	450 mm	470 mm	490 mm	510 mm
<b>M</b> Stack	622 mm	622 mm	640 mm	640 mm

MODELL	FARBE	S	M	L	XL
Crafty R	Black / Nimbus Grey / White	010.20248	010.20249	010.20250	010.20251
Crafty R	Black / Flame Red / White	010.20252	010.20253	010.20254	010.20255

<b>SPEICHEN</b>	DT Hybrid SP, straight pull
<b>NABE VORDERRAD</b>	DT 370, Boost 15x110mm, IS 6 bolts
<b>NABE HINTERRAD</b>	DT 370, Boost 12x148mm, IS 6 bolts
<b>REIFEN VORNE</b>	Maxxis Minion DHF 29x2.6, Tubeless ready, 3C MAXX TERRA, EXO+ Protection, 60TPI, folding bead
<b>REIFEN HINTEN</b>	Maxxis Minion DHR II 29x2.6, Tubeless ready, 3C MAXX TERRA, EXO+ Protection, 60TPI, folding bead
<b>MOTOR</b>	Bosch Performance Line CX system Gen4, 625 Wh PowerTube battery, Kiox on-board computer, RaceFace Aeffect ebike crankset, 165mm
<b>KETTENBLÄTTER</b>	SRAM X-Sync 2 Eagle 34T, narrow-wide, Bosch Gen4 DM
<b>TRETLAGER</b>	/
<b>PEDALE</b>	/
<b>KETTE</b>	Sram SX Eagle, 12s
<b>KETTENFÜHRUNG / UMWERFER</b>	/
<b>SCHALTWERK</b>	Sram SX, Type 3 roller bearing clutch, cage lock, long cage, 1x12s, X-actuation 1:1
<b>SCHALTHEBEL</b>	Sram Trigger SX, 12s, X-Actuation 1:1, single click
<b>KASSETTE</b>	Sram PG-1210 Eagle 11-50, 12s
<b>SCHALTAUGE</b>	Mondraker M068
<b>SONSTIGES</b>	/
<b>GEWICHT OHNE PEDALE</b>	24.8 kg