

PREIS: 8199,00

**TECHNOLOGIEN**

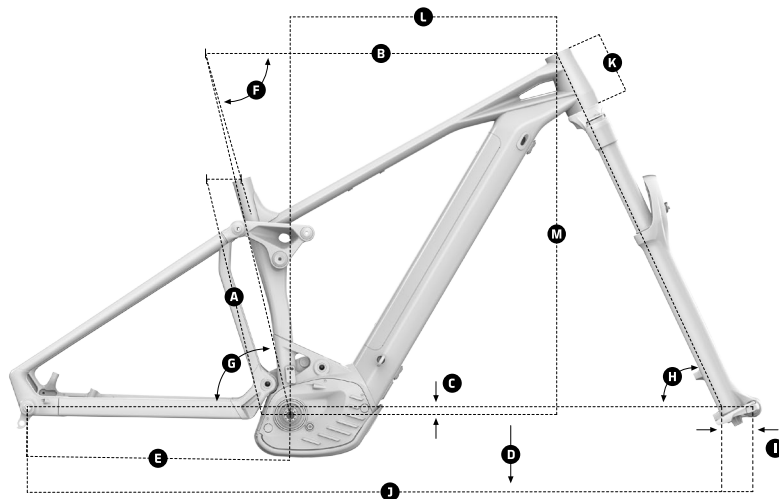
ZERO E-BIKE OPTIMIZED  
STEALTH SIDE ALLOY STRUCTURE  
FORWARD GEOMETRY

 150 kg SYSTEM WEIGHT

 Ø 29"

**SPEZIFIKATIONEN**

<b>RAHMEN</b>	Level 6061 Alloy Stealth Evo, e-Bike Optimized Zero Suspension System, 170mm travel, Forward Geometry, internal removable battery with integrated alloy cover, Boost 12x148mm rear axle, tapered head tube, one-piece Monoblock upper link, HHG internal cable routing, MAX capacity sealed bearings, oversize 17mm axles, integrated dropout speed sensor, exclusive plastic motor covers
<b>GRÖßEN</b>	S: 380mm / M: 420mm / L: 450mm / XL: 490mm
<b>DÄMPFER</b>	RockShox Super Deluxe Coil Ultimate RCT, 225x75mm. Settings: Low-speed compression, Low-speed rebound, spring preload, 2 position Open/Firm Threshold adjustment. Trunnion top mount, 25x10mm bottom bushings
<b>EINSTELLMÖGLICHKEITEN</b>	L1 compression, M rebound, Spring rate: S/M size 300 lbs, L size 350 lbs, XL size 400 lbs
<b>GABEL</b>	RockShox Lyrik Ultimate RC2 Charger 2 29, 180mm, EMTB, tapered steerer tube, Boost 15x110mm axle, 42mm offset. Settings: high and low-speed compression, low-speed rebound, air preload
<b>STEUERSATZ</b>	Onoff Saturn tapered for 1-1/8" to 1-1/2" head tube, ACB sealed bearings, top 41x30.2x7x45°x45°, bottom 51.9x40x8x45°x45°
<b>VORBAU</b>	Onoff Krypton FG 30mm, 6061 forged alloy, 35mm barbore
<b>LENKER</b>	Onoff Krypton Carbon 0.5, rise: 12,5mm, width: 780mm, 9° backsweep, 5° upsweep, 35mm barbore
<b>GRIFFE</b>	Onoff Desert, 1lock-on, 135mm sizes: S/M L/XL
<b>SATTELSTÜTZE</b>	Onoff Pija dropper internal, diameter 31.6mm, S size: 337x100mm, M size 387x125mm, L/XL size: 425x150mm
<b>SATTEL</b>	SDG Fly Mtn, titanium rail, light PU foam
<b>BREMSE VORNE</b>	Sram Code RSC, oversized 4-piston caliper, Centerline 220mm IS 6 bolts one-piece rotor, steel-backed metal sintered pads
<b>BREMSE HINTEN</b>	Sram Code RSC, oversized 4-piston caliper, Centerline 200mm IS 6 bolts one-piece rotor, steel-backed metal sintered pads
<b>BREMSHEBEL</b>	Sram Code RSC, SwingLink and lever pivot bearings, tools-free reach and contact point adjust
<b>FELGEN</b>	DT Swiss HX1501 Spline One 29, 30mm internal width, tubeless ready, 28 spokes



## GEOMETRIE

Größe	S	M	L	XL
<b>A</b> Sitzrohrlänge	380 mm	420 mm	450 mm	490 mm
<b>B</b> Oberrohrlänge	602 mm	622 mm	647 mm	667 mm
<b>C</b> Tretlagerabsenkung	-15	-15	-15	-15
<b>D</b> Tretlagerhöhe	357 mm	357 mm	357 mm	357 mm
<b>E</b> Kettenstrebenlänge	455 mm	455 mm	455 mm	455 mm
<b>F</b> Sitzwinkel, (real)	73.5°	73.5°	73.5°	73.5°
<b>G</b> Sitzwinkel (effektiv)	76.5°	76.5°	76.5°	76.5°
<b>H</b> Lenkwinkel	65°	65°	65°	65°
<b>I</b> Gabelvorbiegung	44 mm	44 mm	44 mm	44 mm
<b>J</b> Radstand	1250 mm	1270 mm	1290 mm	1310 mm
<b>K</b> Steuerrohrlänge	110mm	110mm	130mm	130 mm
<b>L</b> Reach	450 mm	470 mm	490 mm	510 mm
<b>M</b> Stack	632 mm	632 mm	652 mm	652 mm

MODELL	FARBE	S	M	L	XL
Level RR	Petrol / White / BoXXer Red	010.20264	010.20265	010.20266	010.20267

<b>SPEICHEN</b>	DT Hybrid SP, straight pull
<b>NABE VORDERRAD</b>	DT 240, 15x110mm, IS 6 bolts
<b>NABE HINTERRAD</b>	DT 240, 12x148mm, 24T Ratchet system, IS 6 bolts
<b>REIFEN VORNE</b>	Maxxis Assegai 29x2.5WT, Tubeless ready, 3C MAXX GRIP compound, DH casing, 60TPI, folding bead
<b>REIFEN HINTEN</b>	Maxxis Assegai 29x2.5WT, Tubeless ready, 3C MAXX GRIP compound, DH casing, 60TPI, folding bead
<b>MOTOR</b>	Bosch Performance Line CX system Gen4, 625 Wh PowerTube battery, Kiox on-board computer, RaceFace Aeffect ebike crankset, 165mm
<b>KETTENBLÄTTER</b>	SRAM X-Sync 2 Eagle 34T, narrow-wide, Bosch Gen4 DM
<b>TRETLAGER</b>	/
<b>PEDALE</b>	/
<b>KETTE</b>	Sram GX Eagle, 12s
<b>KETTENFÜHRUNG / UMWERFER</b>	/
<b>SCHALTWERK</b>	Sram X01 Eagle, Type 3 roller bearing clutch, cage lock, 1x12s, X-actuation 1:1
<b>SCHALTHEBEL</b>	Sram X01 Eagle, 12s, X-Actuation 1:1, single click
<b>KASSETTE</b>	Sram XG-1230 Eagle, 11-50T, 12s
<b>SCHALTAUGE</b>	Mondraker M068
<b>SONSTIGES</b>	/
<b>GEWICHT OHNE PEDALE</b>	25.5 kg