

PREIS: 6199,00

**TECHNOLOGIEN**

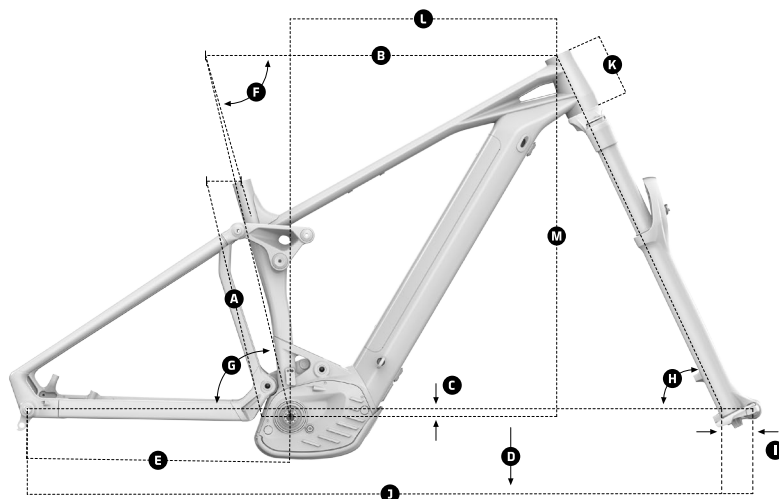
ZERO E-BIKE OPTIMIZED  
STEALTH SIDE ALLOY STRUCTURE  
FORWARD GEOMETRY

🏠 150 kg SYSTEM WEIGHT

Ø 29"

**SPEZIFIKATIONEN**

<b>RAHMEN</b>	Level 6061 Alloy Stealth Evo, e-Bike Optimized Zero Suspension System, 170mm travel, Forward Geometry, internal removable battery with integrated alloy cover, Boost 12x148mm rear axle, tapered head tube, one-piece Monoblock upper link, HHG internal cable routing, MAX capacity sealed bearings, oversize 17mm axles, integrated dropout speed sensor, exclusive plastic motor covers
<b>GRÖßEN</b>	S: 380mm / M: 420mm / L: 450mm / XL: 490mm
<b>DÄMPFER</b>	RockShox Super Deluxe Coil Select +, 225x75mm. Settings: Low-speed rebound, spring preload, 2 position Open/Firm Threshold adjustment. Trunnion top mount, 25x10mm bottom bushings
<b>EINSTELLMÖGLICHKEITEN</b>	L1 compression, M rebound, Spring rate: S/M size 300 lbs, L size 350 lbs, XL size 400 lbs
<b>GABEL</b>	RockShox Lyrik Select RC Charger 29, 180mm, EMTB, tapered steerer tube, Boost 15x110mm axle, 42mm offset. Settings: Low-speed compression to lock, low-speed rebound, air preload
<b>STEUERSATZ</b>	Onoff Saturn tapered for 1-1/8" to 1-1/2" head tube, ACB sealed bearings, top 41x30.2x7x45°x45°, bottom 51.9x40x8x45°x45°
<b>VORBAU</b>	Onoff Sulfur FG 30mm, 6061 forged alloy, 31.8mm barbare
<b>LENKER</b>	Onoff Sulfur 1.0 double butted 6061 alloy, rise: 20mm, width: 780mm, 9° backsweep, 5° upsweep, 31.8mm barbare
<b>GRIFFE</b>	Onoff Desert, 1lock-on, 135mm sizes: S/M L/XL
<b>SATTELSTÜTZE</b>	Onoff Pija dropper internal, diameter 31.6mm, S size: 337x100mm, M size 387x125mm, L/XL size: 425x150mm
<b>SATTEL</b>	SDG Fly Mtn, Cro-Mo rail, PU foam
<b>BREMSE VORNE</b>	Sram Code R, oversized 4-piston caliper, Centerline 220mm IS 6 bolts one-piece rotor, steel-backed metal sintered pads
<b>BREMSE HINTEN</b>	Sram Code R, oversized 4-piston caliper, Centerline 200mm IS 6 bolts one-piece rotor, steel-backed metal sintered pads
<b>BREMSHEBEL</b>	Sram Code R, tool-free reach adjust
<b>FELGEN</b>	DT Swiss H1900 Spline 29, 30mm internal width, tubeless ready, 28 spokes



## GEOMETRIE

Größe	S	M	L	XL
A Sitzrohrlänge	380 mm	420 mm	450 mm	490 mm
B Oberrohrlänge	602 mm	622 mm	647 mm	667 mm
C Tretlagerabsenkung	-15	-15	-15	-15
D Tretlagerhöhe	357 mm	357 mm	357 mm	357 mm
E Kettenstrebenlänge	455 mm	455 mm	455 mm	455 mm
F Sitzwinkel, (real)	73.5°	73.5°	73.5°	73.5°
G Sitzwinkel (effektiv)	76.5°	76.5°	76.5°	76.5°
H Lenkwinkel	65°	65°	65°	65°
I Gabelvorbiegung	44 mm	44 mm	44 mm	44 mm
J Radstand	1250 mm	1270 mm	1290 mm	1310 mm
K Steuerrohrlänge	110 mm	110 mm	130 mm	130 mm
L Reach	450 mm	470 mm	490 mm	510 mm
M Stack	632 mm	632 mm	652 mm	652 mm

MODELL	FARBE	S	M	L	XL
Level R	FOX Orange / Black / Light Green	010.20260	010.20261	010.20262	010.20263

<b>SPEICHEN</b>	DT Hybrid SP, straight pull
<b>NABE VORDERRAD</b>	DT 370, 15x110mm, IS 6 bolts
<b>NABE HINTERRAD</b>	DT 370, 12x148mm, IS 6 bolts
<b>REIFEN VORNE</b>	Maxxis Assegai 29x2.5WT, Tubeless ready, 3C MAXX GRIP compound, DH casing, 60TPI, folding bead
<b>REIFEN HINTEN</b>	Maxxis Assegai 29x2.5WT, Tubeless ready, 3C MAXX GRIP compound, DH casing, 60TPI, folding bead
<b>MOTOR</b>	Bosch Performance Line CX system Gen4, 625 Wh PowerTube battery, Kiox on-board computer, RaceFace Aeffect ebike crankset, 165mm
<b>KETTENBLÄTTER</b>	SRAM X-Sync 2 Eagle 34T, narrow-wide, Bosch Gen4 DM
<b>TRETLAGER</b>	/
<b>PEDALE</b>	/
<b>KETTE</b>	Sram SX Eagle, 12s
<b>KETTENFÜHRUNG / UMWERFER</b>	/
<b>SCHALTWERK</b>	Sram SX, Type 3 roller bearing clutch, cage lock, long cage, 1x12s, X-actuation 1:1
<b>SCHALTHEBEL</b>	Sram Trigger SX Eagle, 12s, X-Actuation 1:1, single click
<b>KASSETTE</b>	Sram PG-1210 Eagle 11-50, 12s
<b>SCHALTAUGE</b>	Mondraker M068
<b>SONSTIGES</b>	/
<b>GEWICHT OHNE PEDALE</b>	25.8 kg