

## SLY RR

Black / Nimbus Grey / Tonic Gold



**FRAME** STEALTH ALLOY • **MOTOR & BATTERY** BOSCH PERFORMANCE SX + 400Wh INTEGRATED BATTERY, 250Wh POWERMORE OPTIONAL  
• **FORK** FOX 36 FLOAT PERFORMANCE GRIP, 160mm • **REAR SHOCK** FOX FLOAT X PERFORMANCE • **BRAKES** SRAM CODE BRONZE STEALTH  
• **WHEELS** MAVIC E-CROSSTRAIL SL • **CRANKSET** e\*THIRTEEN HELIX CORE e\*SPEC PLUS • **REAR DERAILLEUR** SRAM GX EAGLE AXS T-TYPE

## SLY RR

Black / Nimbus Grey / Tonic Gold

<b>FRAME</b>	6061 Alloy Stealth Evo, hydroformed tubing, Updated Zero Suspension System, 150mm travel, Forward Geometry, internal & non removable battery, Boost 12x148mm rear axle, tapered head tube, one-piece Monoblock upper link, HHG internal cable routing, MAX capacity sealed bearings, oversize 15mm axles, exclusive plastic motor covers
<b>SIZES</b>	S: 380mm / M: 410mm / ML: 435mm / L: 460mm / XL: 490mm
<b>REAR SHOCK</b>	Fox Float X Performance EVOL, 185x55mm. Settings: 2-position compression (Open/Firm), rebound, air preload. Trunnion top mount, 30x8mm bottom bushings
<b>SHOCK SETTINGS</b>	CS40 compression, RL60 rebound, Rezi B40, LML, 0 volume spacer
<b>FORK</b>	Fox 36 29 Float Performance GRIP, 160mm, 3 Position, tapered steerer tube, Boost 15x110mm axle, offset 44mm. Settings: sweep adjust compression, low-speed rebound, air preload
<b>FORK REMOTE</b>	--
<b>HEADSET</b>	Acros custom IS52/ZS56, 1-1/8", 1.5" head tube, Internal cable routing, sealing plugs without blocklock
<b>STEM</b>	Onoff S6 30mm 0°, 6061 forged alloy + CNC, 31.8mm barbare
<b>HANDLEBAR</b>	Onoff S6 1.0 7050 alloy, rise: 25mm, width: 800mm, 8° backsweep, 5° upsweep, 31.8mm barbare. L and XL size: 1.5 rise
<b>GRIPS</b>	Onoff Forest, CNC lock-on, 135mm
<b>SEATPOST</b>	Onoff Pija dropper internal, diameter 31.6mm, 1X Remote lever with bearing, S size: 140-115mm (388-235mm), M size: 160-135mm (428-255mm), ML size: 180-155mm (468-275mm), L size: 210-185mm (528-305mm), XL size: 210-185mm (528-305mm)
<b>SADDLE</b>	Fizik Terra Aidon X5 145mm
<b>FRONT BRAKE</b>	Sram Code Bronze Stealth, oversized 4-piston caliper, Centerline 200mm IS 6 bolts one-piece rotor, steel-backed metal sintered pads
<b>REAR BRAKE</b>	Sram Code Bronze Stealth, oversized 4-piston caliper, Centerline 200mm IS 6 bolts one-piece rotor, steel-backed metal sintered pads
<b>BRAKE LEVER</b>	Sram Code Bronze Stealth, SwingLink and lever pivot bushings, tool-free reach adjust
<b>RIMS</b>	Mavic E-CrossTrail SL, 29 Boost 30mm internal width, hookless, tubeless ready, 28 spokes
<b>SPOKES</b>	Mavic 28 straight-pull double butted spokes
<b>FRONT HUB</b>	Mavic Infinity hub, Boost 15x110mm, IS 6 bolts

<b>REAR HUB</b>	Mavic Infinity hub, ID360 freewheel technology, Boost 12x148mm, IS 6 bolts XD freehub
<b>FRONT TIRE</b>	Maxxis Minion DHF 29x2.5 WT, tubeless ready, 3C MAXX GRIP compound, EXO+ protection, 60TPI, folding bead
<b>REAR TIRE</b>	Maxxis Minion DHR II 29x2.5 WT, tubeless ready, 3C MAXX TERRA compound, EXO+ protection, 60TPI, folding bead
<b>CRANKSET</b>	E.13 Helix Core E*Spec Plus, All sizes: 160mm
<b>RINGS</b>	Sram X-Sync 2 Eagle 34T, steel, narrow-wide, 104 BCD
<b>BOTTOM BRACKET</b>	--
<b>PEDALS</b>	--
<b>CHAIN</b>	Sram GX Eagle T-Type, 12s, Powerlock
<b>FRONT DERAILLEUR</b>	--
<b>REAR DERAILLEUR</b>	Sram GX Eagle AXS T-Type, 12s
<b>SHIFT LEVERS</b>	Sram Eagle AXS Pod MMX, 12s
<b>CASSETTE</b>	Sram XS-1275, 10-52T, T-Type, 12s
<b>MOTOR</b>	Bosch Performance Line SX (25Km/h) GEN4 SMART SYSTEM Diagonal, Wide
<b>BATTERY</b>	Bosch Compact Powertube 400Wh
<b>DISPLAY</b>	Purion 400 / Bosch Mini Remote / Bosch System Controller
<b>DERAILLEUR HANGER</b>	--
<b>OTHERS</b>	--
<b>WEIGHT</b>	20,7kg



## SLY R

Marlin Blue / Racing Silver / Obsidian Grey



**FRAME** STEALTH ALLOY • **MOTOR & BATTERY** BOSCH PERFORMANCE SX + 400Wh INTEGRATED BATTERY, 250Wh POWERMORE OPTIONAL  
• **FORK** ROCKSHOX PSYLO GOLD RC, 160mm • **REAR SHOCK** ROCKSHOX DELUXE SELECT+ • **BRAKES** SRAM DB8 STEALTH  
• **WHEELS** MAVIC E-CROSSRIDE • **CRANKSET** e\*THIRTEEN HELIX CORE e\*SPEC PLUS • **REAR DERAILLEUR** SRAM S1000 EAGLE AXS T-TYPE

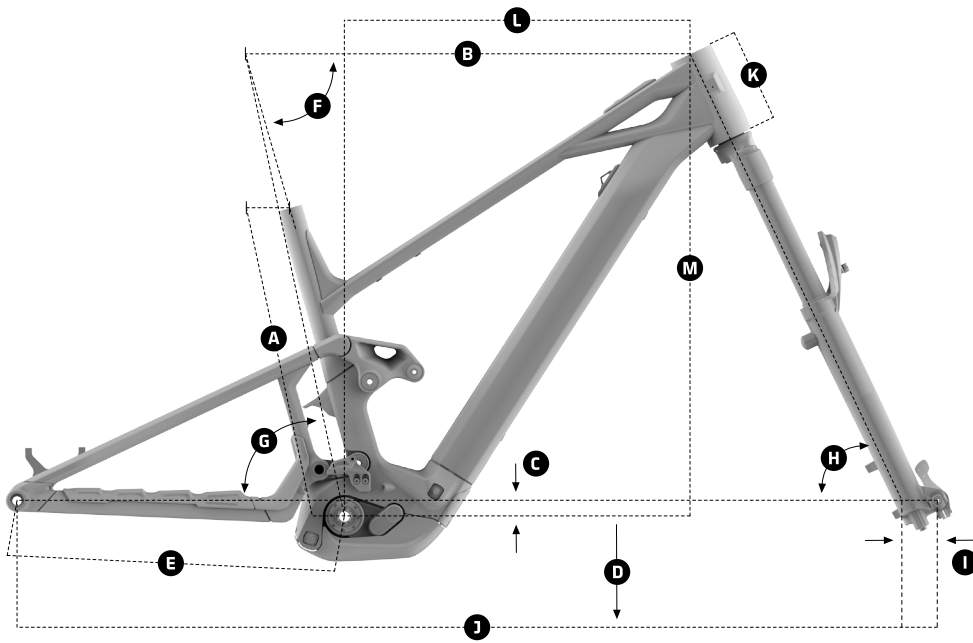
## SLY R

Marlin Blue / Racing Silver / Obsidian Grey

<b>FRAME</b>	6061 Alloy Stealth Evo, hydroformed tubing, Updated Zero Suspension System, 150mm travel, Forward Geometry, internal & non removable battery, Boost 12x148mm rear axle, tapered head tube, one-piece Monoblock upper link, HHG internal cable routing, MAX capacity sealed bearings, oversize 15mm axles, exclusive plastic motor covers
<b>SIZES</b>	S: 380mm / M: 410mm / ML: 435mm / L: 460mm / XL: 490mm
<b>REAR SHOCK</b>	Rockshox Deluxe Select+, 185x55mm, Trunnion top mount, 30x8mm bottom bushings
<b>SHOCK SETTINGS</b>	L compression, digressive rebound, 4 tokens
<b>FORK</b>	Rockshox Psylo Gold RC, 160mm, 3 Position, Debon Air, tapered steerer tube, Boost 15x110mm axle, 35mm steel stanchions, 44mm offset. Settings: compression adjustment at low-speed to lock, rebound, air preload
<b>FORK REMOTE</b>	--
<b>HEADSET</b>	Acros custom IS52/ZS56, 1-1/8", 1.5" head tube, Internal cable routing, sealing plugs without blocklock
<b>STEM</b>	Onoff S3 30mm 0°, 6061 forged alloy, 31.8mm barbare
<b>HANDLEBAR</b>	Onoff S3 1.0 6061 alloy, rise: 25mm, width: 800mm, 8° backsweep, 5° upsweep, 31.8mm barbare. L and XL size: 1.5 rise
<b>GRIPS</b>	Onoff Forest, CNC lock-on, 135mm
<b>SEATPOST</b>	Onoff Pija dropper internal, diameter 31.6mm, 1X Remote lever with bearing, S size: 140-115mm (388-235mm), M size: 160-135mm (428-255mm), ML size: 180-155mm (468-275mm), L size: 210-185mm (528-305mm), XL size: 210-185mm (528-305mm)
<b>SADDLE</b>	Fizik Terra Aidon X5 145mm
<b>FRONT BRAKE</b>	Sram DB8 stealth, 4-piston caliper, Centerline 200mm IS 6 bolts one-piece rotor, steel-backed organic pads
<b>REAR BRAKE</b>	Sram DB8 stealth, 4-piston caliper, Centerline 200mm IS 6 bolts one-piece rotor, steel-backed organic pads
<b>BRAKE LEVER</b>	Sram DB8, SwingLink and lever pivot bearings, tools-free reach and contact point adjust
<b>RIMS</b>	Mavic E-CrossRide 29, 30mm internal width, welded, PFP, tubeless ready, 28 spokes
<b>SPOKES</b>	Mavic J-bend double butted, contactless lacing
<b>FRONT HUB</b>	Mavic, Boost 15x110mm, IS 6 bolts

<b>REAR HUB</b>	Mavic, Boost 12x148mm, ID360 Ratched system, IS 6 bolts, HG freehub
<b>FRONT TIRE</b>	Maxxis Minion DHF 29x2.5 WT, tubeless ready, 3C MAXX GRIP compound, EXO+ protection, 60TPI, folding bead
<b>REAR TIRE</b>	Maxxis Minion DHR II 29x2.5 WT, tubeless ready, 3C MAXX TERRA compound, EXO+ protection, 60TPI, folding bead
<b>CRANKSET</b>	E.13 Helix Core E*Spec Plus, All sizes: 160mm
<b>RINGS</b>	Sram X-Sync 2 Eagle 34T, steel, narrow-wide, 104 BCD
<b>BOTTOM BRACKET</b>	--
<b>PEDALS</b>	--
<b>CHAIN</b>	Sram GX Eagle T-Type, 12s, Powerlock
<b>FRONT DERAILLEUR</b>	--
<b>REAR DERAILLEUR</b>	Sram S1000 Eagle AXS T-Type, 12s
<b>SHIFT LEVERS</b>	Sram Eagle AXS Pod MMX, 12s
<b>CASSETTE</b>	Sram XS-1270, 10-52T, T-Type, 12s
<b>MOTOR</b>	Bosch Performance Line SX (25Km/h) GEN4 SMART SYSTEM Diagonal, Wide
<b>BATTERY</b>	Bosch Compact Powertube 400Wh
<b>DISPLAY</b>	Purion 400 / Bosch Mini Remote / Bosch System Controller
<b>DERAILLEUR HANGER</b>	--
<b>OTHERS</b>	--
<b>WEIGHT</b>	20,9kg





## SLY

### Size

	S	M	M/L	L	XL
<b>A</b> Seat Tube Length	380 mm	410 mm	435 mm	460 mm	490 mm
<b>B</b> Top Tube Length	595 mm	615 mm	635 mm	660 mm	685 mm
<b>C</b> Bottom Bracket Drop	-22 mm	-22 mm	-22 mm	-22 mm	-22 mm
<b>D</b> Bottom Bracket Height	350 mm	350 mm	350 mm	350 mm	350 mm
<b>E</b> Chainstay Length	455 mm	455 mm	455 mm	455 mm	455 mm
<b>F</b> Seat Tube Angle. Actual	74°	74°	74°	74°	74°
<b>G</b> Seat Tube Angle. Effective	77°	77°	77°	77°	77°
<b>H</b> Head Tube Angle	64.5°	64.5°	64.5°	64.5°	64.5°
<b>I</b> Fork Offset	44 mm	44 mm	44 mm	44 mm	44 mm
<b>J</b> Wheelbase	1225 mm	1250 mm	1265 mm	1290 mm	1315 mm
<b>K</b> Head Tube Length	120 mm	120 mm	130 mm	140 mm	150 mm
<b>L</b> Reach	440 mm	460 mm	480 mm	500 mm	520 mm
<b>M</b> Stack	633 mm	633 mm	642 mm	651 mm	660 mm

### TRAVEL

FRONT: 160 mm  
REAR: 150 mm