

# Hybrid All-Mtn 5.9 **COMP**

**brose**

<b>RAHMEN / FRAME</b>	NOX Frame AM 3.0
<b>FARBEN / COLORS</b>	Desert / Hunter
<b>GRÖSSEN / SIZES</b>	S / M / L / XL
<b>ANTRIEB / MOTORSET</b>	BROSE Drive-S Mag
<b>AKKU / BATTERY</b>	BROSE Battery 630Wh 10S5P
<b>LADEGERÄT / CHARGER</b>	BROSE Charger
<b>BEDIENEINHEIT / DISPLAY</b>	BROSE Display Allround
<b>DÄMPFER / REAR SHOCK</b>	ROCK SHOX Super Deluxe Select
<b>GABEL / FORK</b>	ROCK SHOX 35 Gold RL 29" 160mm
<b>VORBAU / STEM</b>	RACE FACE Aeffect 35
<b>LENKER / HANDLEBAR</b>	RACE FACE Aeffect R 35
<b>SATTELSTÜTZE / SEAT POST S/M</b>	RACE FACE Ride 30,9
<b>SATTELSTÜTZE / SEAT POST L/XL</b>	RACE FACE Ride 30,9
<b>KURBELN / CRANKSET</b>	FSA
<b>SCHALTWERK / REAR DERAILLEUR</b>	SRAM NX Eagle 12fach
<b>SHIFTER RE. / SHIFTER RIGHT</b>	SRAM NX Eagle 12fach
<b>RITZELPAKET / SPROCKET</b>	SRAM PG 1230 11-50T
<b>BREMSSYSTEM / BRAKESYSTEM</b>	MAGURA MT5 HC
<b>LAUFRAD VO. / WHEEL FRONT</b>	DT SWISS H1900 29" VR 30mm
<b>LAUFRAD HI. / WHEEL REAR</b>	DT SWISS H1900 29" HR 30mm
<b>REIFEN VO. / TIRE FRONT</b>	CONTINENTAL Trail King 29x2,4" Shield wall
<b>REIFEN HI. / TIRE REAR</b>	CONTINENTAL Trail King 29x2,4" Shield wall

PREIS / PRICE € 5.499,-

# Hybrid All-Mtn 5.9 **EXPERT**

**brose**

<b>RAHMEN / FRAME</b>	NOX Frame AM 3.0
<b>FARBEN / COLORS</b>	Desert / Hunter
<b>GRÖSSEN / SIZES</b>	S / M / L / XL
<b>ANTRIEB / MOTORSET</b>	BROSE Drive-S Mag
<b>AKKU / BATTERY</b>	BROSE Battery 630Wh 10S5P
<b>LADEGERÄT / CHARGER</b>	BROSE Charger
<b>BEDIENEINHEIT / DISPLAY</b>	BROSE Display Allround
<b>DÄMPFER / REAR SHOCK</b>	ROCK SHOX Super Deluxe Select+
<b>GABEL / FORK</b>	ROCK SHOX Lyrik Select RC 29" 160mm
<b>VORBAU / STEM</b>	RACE FACE Turbine 35
<b>LENKER / HANDLEBAR</b>	RACE FACE Turbine R 35
<b>SATTELSTÜTZE / SEAT POST S/M</b>	ROCK SHOX Reverb Stealth, 30.9, 1X 150mm
<b>SATTELSTÜTZE / SEAT POST L/XL</b>	ROCK SHOX Reverb Stealth, 30.9, 1X 175mm
<b>KURBELN / CRANKSET</b>	FSA
<b>SCHALTWERK / REAR DERAILLEUR</b>	SRAM GX Eagle 12fach
<b>SHIFTER RE. / SHIFTER RIGHT</b>	SRAM GX Eagle 12fach
<b>RITZELPAKET / SPROCKET</b>	SRAM PG 1230 11-50T
<b>BREMSSYSTEM / BRAKESYSTEM</b>	MAGURA MT5 HC
<b>LAUFRAD VO. / WHEEL FRONT</b>	DT SWISS H1700 29" VR 30mm
<b>LAUFRAD HI. / WHEEL REAR</b>	DT SWISS H1700 29" HR 30mm
<b>REIFEN VO. / TIRE FRONT</b>	CONTINENTAL Trail King 29x2,4" Shield wall
<b>REIFEN HI. / TIRE REAR</b>	CONTINENTAL Trail King 29x2,4" Shield wall

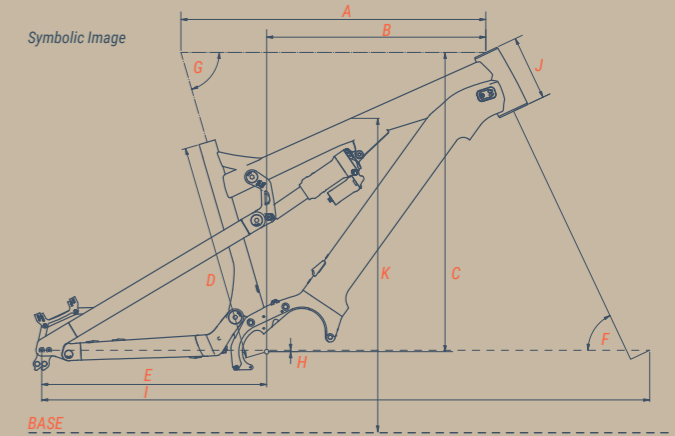
PREIS / PRICE € 6.299,-

# Hybrid All-Mtn 5.9 **PRO**

**brose**

<b>RAHMEN / FRAME</b>	NOX Frame AM 3.0
<b>FARBEN / COLORS</b>	Desert / Hunter
<b>GRÖSSEN / SIZES</b>	S / M / L / XL
<b>ANTRIEB / MOTORSET</b>	BROSE Drive-S Mag
<b>AKKU / BATTERY</b>	BROSE Battery 630Wh 10S5P
<b>LADEGERÄT / CHARGER</b>	BROSE Charger
<b>BEDIENEINHEIT / DISPLAY</b>	BROSE Display Allround
<b>DÄMPFER / REAR SHOCK</b>	FOX Float DPX2 Factory
<b>GABEL / FORK</b>	FOX 36 Factory E-Optimized Grip2 29" 160mm shiny black
<b>VORBAU / STEM</b>	RACE FACE Turbine 35
<b>LENKER / HANDLEBAR</b>	RACE FACE Next R 35 Carbon
<b>SATTELSTÜTZE / SEAT POST S/M</b>	FOX Transfer Factory Post 150mm / 30,9mm + FOX Transfer 1x Remote
<b>SATTELSTÜTZE / SEAT POST L/XL</b>	FOX Transfer Factory Post 175mm / 30,9mm + FOX Transfer 1x Remote
<b>KURBELN / CRANKSET</b>	FSA
<b>SCHALTWERK / REAR DERAILLEUR</b>	SRAM X0 Eagle 12fach
<b>SHIFTER RE. / SHIFTER RIGHT</b>	SRAM X0 Eagle 12fach
<b>RITZELPAKET / SPROCKET</b>	SRAM XG 1275 11-50T
<b>BREMSSYSTEM / BRAKESYSTEM</b>	MAGURA MT7 HC
<b>LAUFRAD VO. / WHEEL FRONT</b>	DT SWISS HX1501 29" VR 30mm
<b>LAUFRAD HI. / WHEEL REAR</b>	DT SWISS HX1501 29" HR 30mm
<b>REIFEN VO. / TIRE FRONT</b>	CONTINENTAL Der Baron Project 29x2,4" ProTction Apex
<b>REIFEN HI. / TIRE REAR</b>	CONTINENTAL Der Baron Project 29x2,4" ProTction Apex

PREIS / PRICE € 7.799,-



	S		M		L		XL	
	long	short	long	short	long	short	long	short
<b>A</b> Oberrohr / Top tube	585mm		609mm		635mm		658mm	
<b>B</b> Reach / Reach	409mm		433mm		456mm		480mm	
<b>C</b> Stack / Stack	613mm		613mm		623mm		623mm	
<b>D</b> Sitzrohr / Seat tube	400mm		417mm		453mm		499mm	
<b>E</b> Kettenstrebe / Chain stay	468mm	453mm	468mm	453mm	468mm	453mm	468mm	453mm
<b>F</b> Lenkwinkel / Steering angle	64,7°		64,7°		64,7°		64,7°	
<b>G</b> Sitzwinkel / Seat angle	73,7°		73,7°		73,7°		73,7°	
<b>H</b> BB Drop / BB drop	2mm		3mm		3mm		3mm	
<b>I</b> Radstand / Wheelbase	1214mm	1199mm	1238mm	1223mm	1265mm	1250mm	1288mm	1273mm
<b>J</b> Steuerrohr / Head tube	125mm		125mm		135mm		135mm	
<b>K</b> Überstandshöhe / Standover height	853mm		855mm		860mm		861mm	



Ausstattungs- und Preisänderungen vorbehalten  
Weitere Hinweise siehe S. 2