

Hybrid Enduro 7.1 **COMP**

brose

RAHMEN / FRAME	NOX Frame EN 3.0
FARBEN / COLORS	Desert / Hunter
GRÖSSEN / SIZES	S / M / L / XL
ANTRIEB / MOTORSET	BROSE Drive-S Mag
AKKU / BATTERY	BROSE Battery 630Wh 10S5P
LADEGERÄT / CHARGER	BROSE Charger
BEDIENEINHEIT / DISPLAY	BROSE Display Remote
DÄMPFER / REAR SHOCK	ROCK SHOX Super Deluxe Select Coil
GABEL / FORK	ROCK SHOX Yari RC 29" 180mm
VORBAU / STEM	RACE FACE Chester 35
LENKER / HANDLEBAR	RACE FACE Chester 35
SATTELSTÜTZE / SEAT POST S/M	RACE FACE Chester 30.9
SATTELSTÜTZE / SEAT POST L/XL	RACE FACE Chester 30.9
KURBELN / CRANKSET	FSA
SCHALTWERK / REAR DERAILLEUR	SRAM NX Eagle 12x
SHIFTER RE. / SHIFTER RIGHT	SRAM NX Eagle 12x
RITZELPAKET / SPROCKET	SRAM PG 1230 11-50T
BREMSSYSTEM / BRAKESYSTEM	MAGURA MT5 HC
LAUFRAD VO. / WHEEL FRONT	DT SWISS H1900 "Mullet" 29" FW 30mm
LAUFRAD HI. / WHEEL REAR	DT SWISS H1900 "Mullet" 27.5" RW 35mm
REIFEN VO. / TIRE FRONT	CONTINENTAL Trail King 29"FWx2.4" Shieldwall
REIFEN HI. / TIRE REAR	CONTINENTAL Trail King 27.5"RWx2.4" Shieldwall

PREIS / PRICE € 5.699,-

Hybrid Enduro 7.1 **EXPERT**

brose

RAHMEN / FRAME	NOX Frame EN 3.0
FARBEN / COLORS	Desert / Hunter
GRÖSSEN / SIZES	S / M / L / XL
ANTRIEB / MOTORSET	BROSE Drive-S Mag
AKKU / BATTERY	BROSE Battery 630Wh 10S5P
LADEGERÄT / CHARGER	BROSE Charger
BEDIENEINHEIT / DISPLAY	BROSE Display Remote
DÄMPFER / REAR SHOCK	ROCK SHOX Super Deluxe Select+ Coil
GABEL / FORK	ROCK SHOX ZEB Select RC 29" 180mm
VORBAU / STEM	RACE FACE Atlas 35
LENKER / HANDLEBAR	RACE FACE Atlas 35
SATTELSTÜTZE / SEAT POST S/M	ROCK SHOX Reverb Stealth, 30.9, 1X 150mm
SATTELSTÜTZE / SEAT POST L/XL	ROCK SHOX Reverb Stealth, 30.9, 1X 175mm
KURBELN / CRANKSET	FSA
SCHALTWERK / REAR DERAILLEUR	SRAM GX Eagle 12x
SHIFTER RE. / SHIFTER RIGHT	SRAM GX Eagle 12x
RITZELPAKET / SPROCKET	SRAM PG 1230 11-50T
BREMSSYSTEM / BRAKESYSTEM	MAGURA MT5 HC
LAUFRAD VO. / WHEEL FRONT	DT SWISS H1700 "Mullet" 29" FW 30mm
LAUFRAD HI. / WHEEL REAR	DT SWISS H1700 "Mullet" 27.5" RW 35mm
REIFEN VO. / TIRE FRONT	CONTINENTAL Trail King 29"FWx2.4" Shieldwall
REIFEN HI. / TIRE REAR	CONTINENTAL Trail King 27.5"RWx2.4" Shieldwall

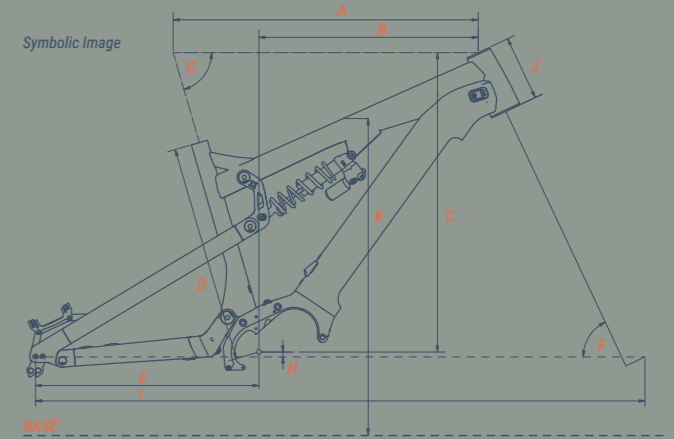
PREIS / PRICE € 6.599,-

Hybrid Enduro 7.1 **PRO**

brose

RAHMEN / FRAME	NOX Frame EN 3.0
FARBEN / COLORS	Desert / Hunter
GRÖSSEN / SIZES	S / M / L / XL
ANTRIEB / MOTORSET	BROSE Drive-S Mag
AKKU / BATTERY	BROSE Battery 630Wh 10S5P
LADEGERÄT / CHARGER	BROSE Charger
BEDIENEINHEIT / DISPLAY	BROSE Display Remote
DÄMPFER / REAR SHOCK	FOX DHX2 Factory incl. SLS spring
GABEL / FORK	FOX 38 Factory E-Optimized Grip2 180mm 29" shiny black
VORBAU / STEM	RACE FACE Atlas 35 35mm black
LENKER / HANDLEBAR	RACE FACE SixC 35 Carbon 20mm Fox Orange
SATTELSTÜTZE / SEAT POST S/M	FOX Transfer Factory Post 150mm / 30.9mm + FOX Transfer 1x Remote
SATTELSTÜTZE / SEAT POST L/XL	FOX Transfer Factory Post 175mm / 30.9mm + FOX Transfer 1x Remote
KURBELN / CRANKSET	FSA
SCHALTWERK / REAR DERAILLEUR	SRAM X0 Eagle 12x
SHIFTER RE. / SHIFTER RIGHT	SRAM X0 Eagle 12x
RITZELPAKET / SPROCKET	SRAM XG 1275 11-50T
BREMSSYSTEM / BRAKESYSTEM	MAGURA MT7 HC
LAUFRAD VO. / WHEEL FRONT	DT SWISS HX1501 "Mullet" 29" FW 30mm
LAUFRAD HI. / WHEEL REAR	DT SWISS HX1501 "Mullet" 27.5" RW 35mm
REIFEN VO. / TIRE FRONT	CONTINENTAL Kaiser Project 29"FWx2.4" ProTaction Apex
REIFEN HI. / TIRE REAR	CONTINENTAL Kaiser Project 27.5"RWx2.4" ProTaction Apex

PREIS / PRICE € 7.999,-



	S		M		L		XL	
	long	short	long	short	long	short	long	short
A Oberrohr / Top tube	585mm		609mm		635mm		658mm	
B Reach / Reach	409mm		433mm		456mm		480mm	
C Stack / Stack	613mm		613mm		623mm		623mm	
D Sitzrohr / Seat tube	400mm		417mm		453mm		499mm	
E Kettenstrebe / Chain stay	468mm	453mm	468mm	453mm	468mm	453mm	468mm	453mm
F Lenkwinkel / Steering angle	64,7°		64,7°		64,7°		64,7°	
G Sitzwinkel / Seat angle	73,7°		73,7°		73,7°		73,7°	
H BB Drop / BB drop	11mm		10mm		10mm		10mm	
I Radstand / Wheelbase	1217mm	1203mm	1241mm	1226mm	1268mm	1253mm	1292mm	1277mm
J Steuerrohr / Head tube	125mm		125mm		135mm		135mm	
K Überstandshöhe / Standover height	858mm		859mm		864mm		865mm	



Ausstattungs- und Preisänderungen vorbehalten
Weitere Hinweise siehe S. 2