

# Hybrid Enduro 7.1 **COMP**



<b>RAHMEN / FRAME</b>	NOX Frame EN 2.2
<b>FARBEN / COLORS</b>	Indigo / Smoke
<b>GRÖSSEN / SIZES</b>	S / M / L / XL
<b>ANTRIEB / MOTORSET</b>	SACHS RS
<b>AKKU / BATTERY</b>	SACHS Battery SI 651.01 48V 650Wh
<b>LADEGERÄT / CHARGER</b>	SACHS Charger 4Ah (100-240V)
<b>BEDIENEINHEIT / DISPLAY</b>	SIGMA EOX Remote
<b>DÄMPFER / REAR SHOCK</b>	ROCK SHOX Super Deluxe Select Coil
<b>GABEL / FORK</b>	ROCK SHOX Yari RC 29" 180mm
<b>VORBAU / STEM</b>	REVERSE Stem E-Black-ONE 35mm Ø35mm
<b>LENKER / HANDLEBAR</b>	REVERSE Handlebar E-Element 800mm Ø35/R25mm
<b>SATTELSTÜTZE / SEAT POST S/M</b>	RACE FACE Chester 30.9
<b>SATTELSTÜTZE / SEAT POST L/XL</b>	RACE FACE Chester 30.9
<b>KURBELN / CRANKSET</b>	SRAM X1
<b>SCHALTWERK / REAR DERAILLEUR</b>	SRAM NX Eagle 12x
<b>SHIFTER RE. / SHIFTER RIGHT</b>	SRAM NX Eagle 12x
<b>RITZELPAKET / SPROCKET</b>	SRAM PG 1230 11-50T
<b>BREMSSYSTEM / BRAKESYSTEM</b>	MAGURA MT5 HC
<b>LAUFRAD VO. / WHEEL FRONT</b>	DT SWISS H1900 "Mullet" 29" FW 30mm
<b>LAUFRAD HI. / WHEEL REAR</b>	DT SWISS H1900 "Mullet" 27.5" RW 35mm
<b>REIFEN VO. / TIRE FRONT</b>	CONTINENTAL Trail King 29"FWx2.4" Shieldwall
<b>REIFEN HI. / TIRE REAR</b>	CONTINENTAL Trail King 27.5"RWx2.4" Shieldwall
<b>PREIS / PRICE</b>	<b>€ 5.699,-</b>

# Hybrid Enduro 7.1 **EXPERT**

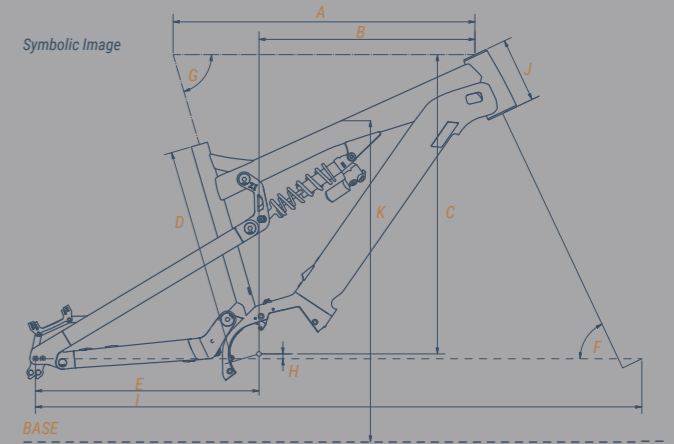
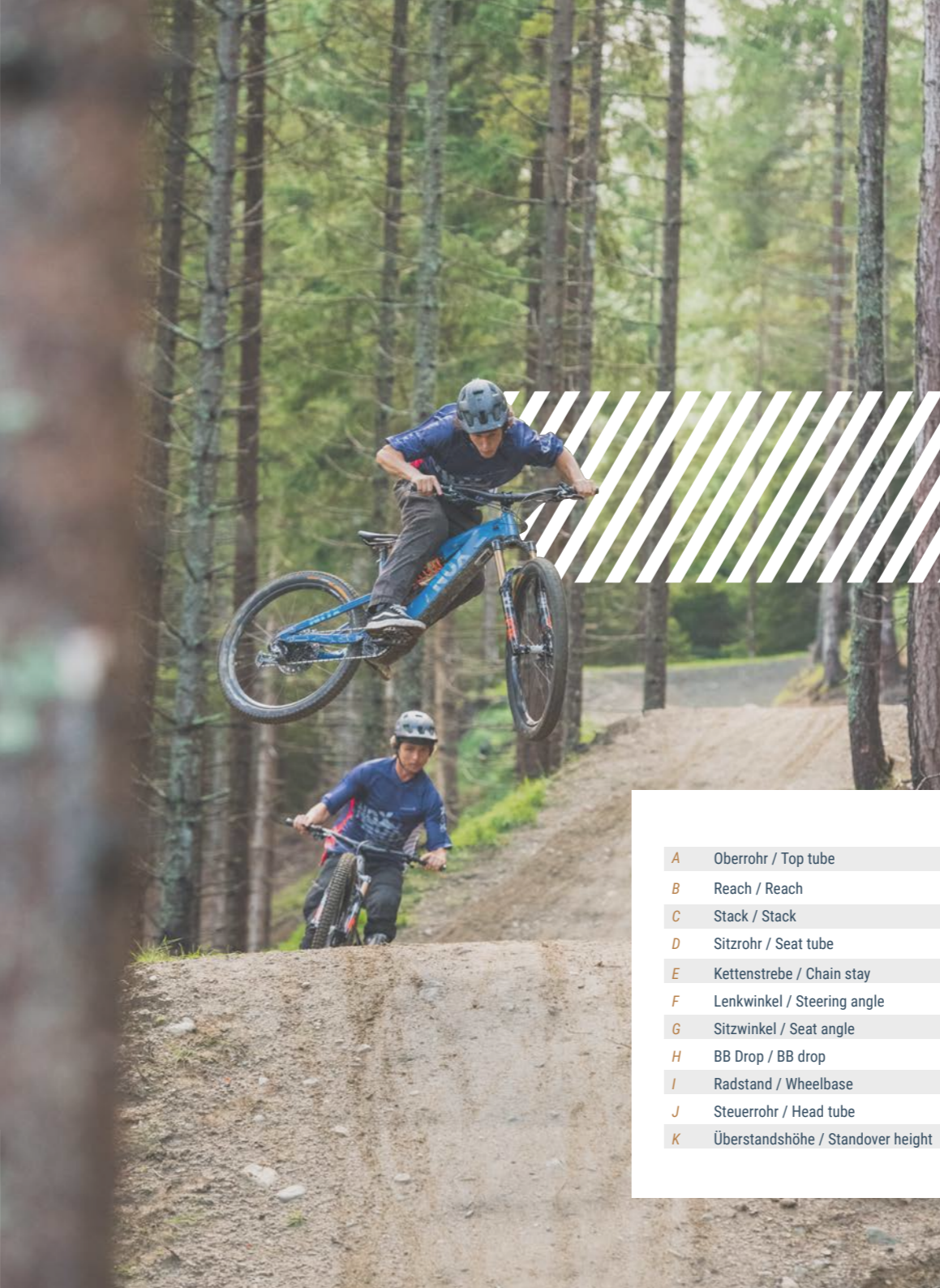


<b>RAHMEN / FRAME</b>	NOX Frame EN 2.2
<b>FARBEN / COLORS</b>	Indigo / Smoke
<b>GRÖSSEN / SIZES</b>	S / M / L / XL
<b>ANTRIEB / MOTORSET</b>	SACHS RS
<b>AKKU / BATTERY</b>	SACHS Battery SI 651.01 48V 650Wh
<b>LADEGERÄT / CHARGER</b>	SACHS Charger 4Ah (100-240V)
<b>BEDIENEINHEIT / DISPLAY</b>	SIGMA EOX Remote
<b>DÄMPFER / REAR SHOCK</b>	ROCK SHOX Super Deluxe Select+ Coil
<b>GABEL / FORK</b>	ROCK SHOX ZEB Select RC 29" 180mm
<b>VORBAU / STEM</b>	REVERSE Stem E-Black-ONE 35mm Ø35mm
<b>LENKER / HANDLEBAR</b>	REVERSE Handlebar E-Element 800mm Ø35/R25mm
<b>SATTELSTÜTZE / SEAT POST S/M</b>	ROCK SHOX Reverb Stealth, 30.9, 1X 150mm
<b>SATTELSTÜTZE / SEAT POST L/XL</b>	ROCK SHOX Reverb Stealth, 30.9, 1X 175mm
<b>KURBELN / CRANKSET</b>	SRAM X1
<b>SCHALTWERK / REAR DERAILLEUR</b>	SRAM GX Eagle 12x
<b>SHIFTER RE. / SHIFTER RIGHT</b>	SRAM GX Eagle 12x
<b>RITZELPAKET / SPROCKET</b>	SRAM PG 1230 11-50T
<b>BREMSSYSTEM / BRAKESYSTEM</b>	MAGURA MT5 HC
<b>LAUFRAD VO. / WHEEL FRONT</b>	DT SWISS H1700 "Mullet" 29" FW 30mm
<b>LAUFRAD HI. / WHEEL REAR</b>	DT SWISS H1700 "Mullet" 27.5" RW 35mm
<b>REIFEN VO. / TIRE FRONT</b>	CONTINENTAL Trail King 29"FWx2.4" Shieldwall
<b>REIFEN HI. / TIRE REAR</b>	CONTINENTAL Trail King 27.5"RWx2.4" Shieldwall
<b>PREIS / PRICE</b>	<b>€ 6.599,-</b>

# Hybrid Enduro 7.1 **PRO**



<b>RAHMEN / FRAME</b>	NOX Frame EN 2.2
<b>FARBEN / COLORS</b>	Indigo / Smoke
<b>GRÖSSEN / SIZES</b>	S / M / L / XL
<b>ANTRIEB / MOTORSET</b>	SACHS RS
<b>AKKU / BATTERY</b>	SACHS Battery SI 651.01 48V 650Wh
<b>LADEGERÄT / CHARGER</b>	SACHS Charger 4Ah (100-240V)
<b>BEDIENEINHEIT / DISPLAY</b>	SIGMA EOX Remote
<b>DÄMPFER / REAR SHOCK</b>	FOX DHX2 Factory incl. SLS spring
<b>GABEL / FORK</b>	FOX 38 Factory E-Optimized Grip2 180mm 29" shiny black
<b>VORBAU / STEM</b>	REVERSE Stem, Black-One Enduro Titan D Ø35mm L 35mm
<b>LENKER / HANDLEBAR</b>	REVERSE Handlebar Carbon Seismic Ø35/R20
<b>SATTELSTÜTZE / SEAT POST S/M</b>	FOX Transfer Factory Post 150mm / 30.9mm + FOX Transfer 1x Remote
<b>SATTELSTÜTZE / SEAT POST L/XL</b>	FOX Transfer Factory Post 175mm / 30.9mm + FOX Transfer 1x Remote
<b>KURBELN / CRANKSET</b>	SRAM X1
<b>SCHALTWERK / REAR DERAILLEUR</b>	SRAM X0 Eagle 12x
<b>SHIFTER RE. / SHIFTER RIGHT</b>	SRAM X0 Eagle 12x
<b>RITZELPAKET / SPROCKET</b>	SRAM XG 1275 11-50T
<b>BREMSSYSTEM / BRAKESYSTEM</b>	MAGURA MT7 HC
<b>LAUFRAD VO. / WHEEL FRONT</b>	DT SWISS HX1501 "Mullet" 29" FW 30mm
<b>LAUFRAD HI. / WHEEL REAR</b>	DT SWISS HX1501 "Mullet" 27.5" RW 35mm
<b>REIFEN VO. / TIRE FRONT</b>	CONTINENTAL Kaiser Project 29"FWx2.4" ProTecton Apex
<b>REIFEN HI. / TIRE REAR</b>	CONTINENTAL Kaiser Project 27.5"RWx2.4" ProTecton Apex
<b>PREIS / PRICE</b>	<b>€ 7.999,-</b>



	S		M		L		XL	
	long	short	long	short	long	short	long	short
<b>A</b> Oberrohr / Top tube	585mm		600mm		628mm		658mm	
<b>B</b> Reach / Reach	409mm		424mm		449mm		480mm	
<b>C</b> Stack / Stack	613mm		613mm		623mm		623mm	
<b>D</b> Sitzrohr / Seat tube	400mm		417mm		453mm		499mm	
<b>E</b> Kettenstrebe / Chain stay	465mm	450mm	465mm	450mm	465mm	450mm	465mm	450mm
<b>F</b> Lenkwinkel / Steering angle	64,7°		64,7°		64,7°		64,7°	
<b>G</b> Sitzwinkel / Seat angle	73,7°		73,7°		73,7°		73,7°	
<b>H</b> BB Drop / BB drop	10mm		10mm		10mm		10mm	
<b>I</b> Radstand / Wheelbase	1217mm	1203mm	1232mm	1217mm	1262mm	1247mm	1292mm	1277mm
<b>J</b> Steuerrohr / Head tube	125mm		125mm		135mm		135mm	
<b>K</b> Überstandshöhe / Standover height	857mm		859mm		864mm		865mm	



Ausstattungs- und Preisänderungen vorbehalten  
Weitere Hinweise siehe S. 2